

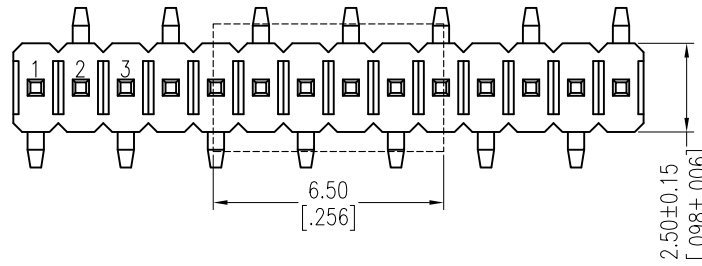
# HSF

**NOTES:**

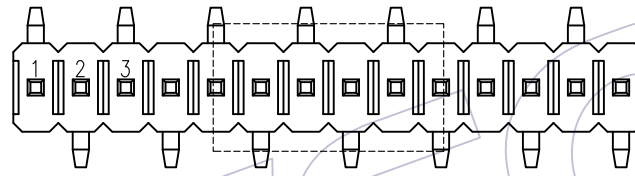
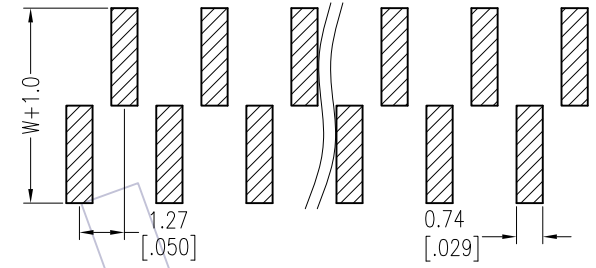
Rated Current:1.0AMP.  
 Contact Resistance:20mΩ Max.  
 Withstand Voltage:500V AC/DC  
 Insulation Resistance:1000MΩ Min.  
 Operation Temperature:-40°C to +105°C

Contact Material:Brass  
 Contact Plating:Au or Sn Over Ni  
 Insulator Material:PA9T+33%G.F UL94V-0 BK

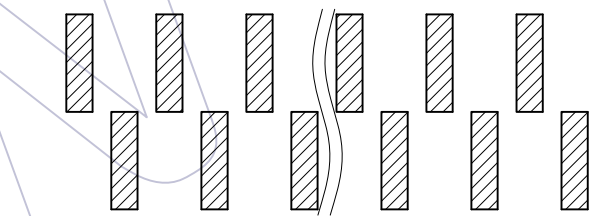
Recommended P.C.B Layout (Top Side)  
 (PCB BOARD TOLERANCE±0.05)



TYPE-1



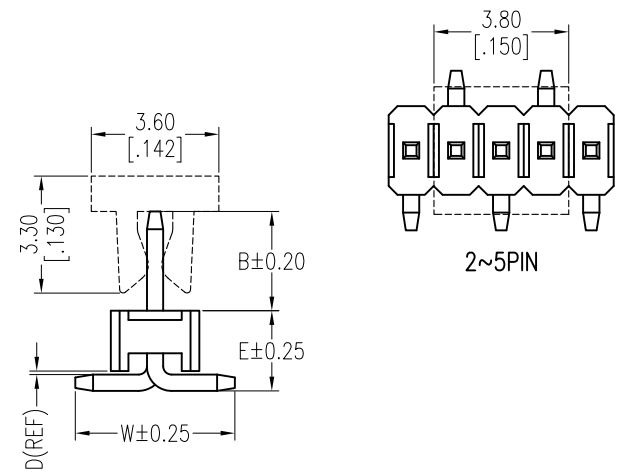
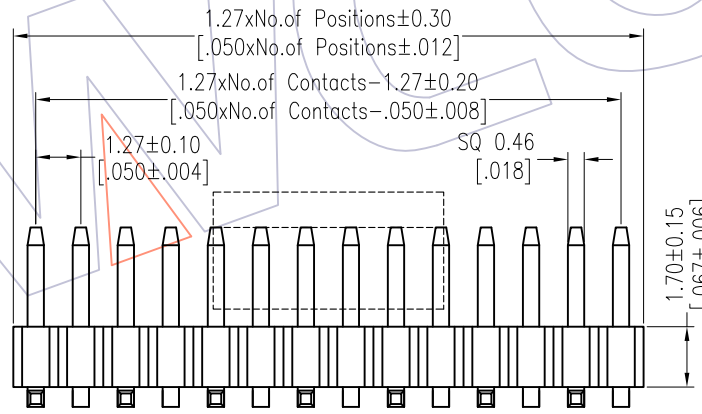
TYPE-2



## Ordering Information

1317-11 XX XX M XXX C R XX

| No.of Pins | Contact Plating   | Pin Length               | Insulator | Packing         | Series No. |
|------------|-------------------|--------------------------|-----------|-----------------|------------|
| 02-50      | G0=Gold Flash     | L=B+D+1.7+ $\frac{W}{2}$ | C=PA9T    | A=Tray          | 01-99      |
|            | G3=10u"Gold       | Std:068=6.8              |           | T=Tube          |            |
|            | G4=15u"Gold       | 100=10.0                 |           | P=Tube+CAP      |            |
|            | G5=30u"Gold       |                          |           | R=Tape&Reel+CAP |            |
|            | S0=Gold Flash/Tin |                          |           |                 |            |
|            | S3=10u"Gold/Tin   |                          |           |                 |            |
|            | S4=15u"Gold/Tin   |                          |           |                 |            |
|            | S5=30u"Gold/Tin   |                          |           |                 |            |
|            | SN=Tin            |                          |           |                 |            |
|            | SM=Matte Tin      |                          |           |                 |            |



2~5PIN

| Item      | Pin Length | W    | E    | B    | Mating |
|-----------|------------|------|------|------|--------|
| Standard  | 6.8        | 4.50 | 2.26 | 2.80 | 2346   |
|           | 10.0       | 4.50 | 2.26 | 6.00 | 2385   |
| Alternate |            |      |      |      |        |

| REV | DATE       | MODIFICATION DESCRIPTION | CHANGE | OPERATION   | DRAW         | DATE       | SCALE | Fit       | PART NO.                                   |
|-----|------------|--------------------------|--------|-------------|--------------|------------|-------|-----------|--------------------------------------------|
| A1  | 2018/01/17 | MODIFY PART NO.          | -----  | x.X ±0.40   | William Chen | 2018/01/17 | UNIT  | mm [inch] | 1317-11XXXXMXXXCXXX                        |
| AO  | 2012/03/16 | NEW                      | -----  | x.XX ±0.25  | CHECK        | DATE       | SIZE  | A4        | TITLE:                                     |
|     |            |                          |        | x.XXX ±0.15 | APPROVE      | DATE       | SHEET | 1/1       | 1.27 Pin Header,<br>SINGLE ROW, SMT, H=1.7 |
|     |            |                          |        | Angle ± 3'  |              |            | PROJ. |           | Customer NO.                               |
|     |            |                          |        | DIM TOL     |              |            |       |           |                                            |

**WCON**  
 Http: www.wcon.com

WCON-Dongguan  
 Tel: +86 769 85358920  
 Fax: +86 769 85358915  
 E-mail: sales@wcon.com

WCON-Kunshan  
 Tel: +86 512 57468408  
 Fax: +86 512 57468468  
 E-mail: sales@wcon.com