

HSF

NOTES:

Rated Current:1.0AMP.
 Contact Resistance:20mΩ Max.
 Withstand Voltage:500V AC/DC
 Insulation Resistance:1000MΩ Min.
 Operation Temperature:-40°C to +105°C

Contact Material:Brass
 Contact Plating:Au or Sn Over Ni
 Insulator Material:PA9T+33%G.F UL94V-0 BK

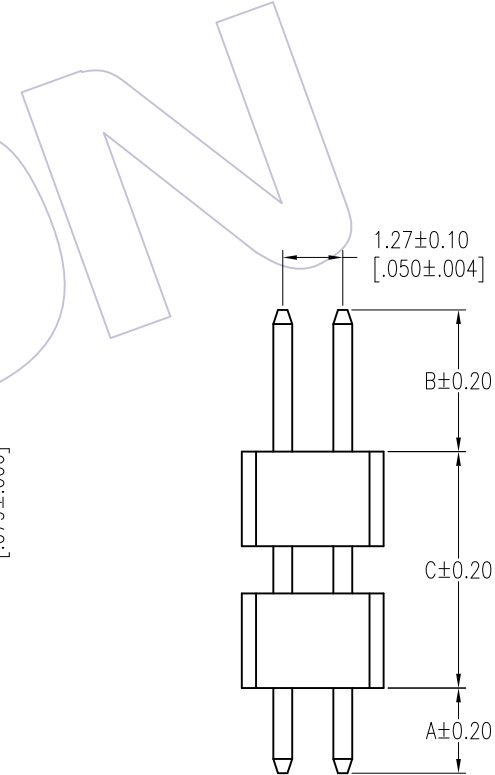
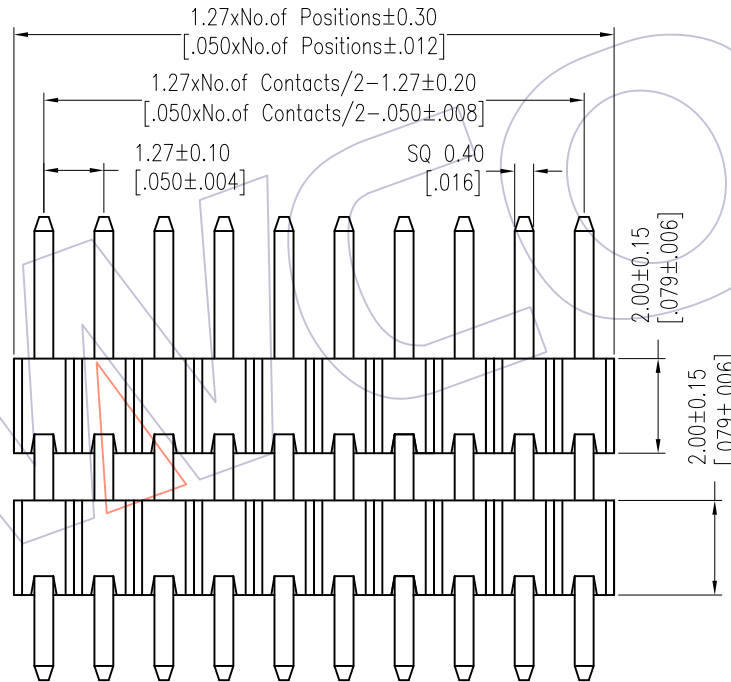
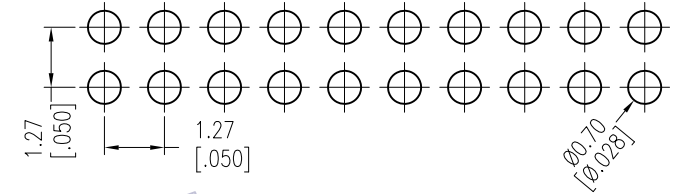
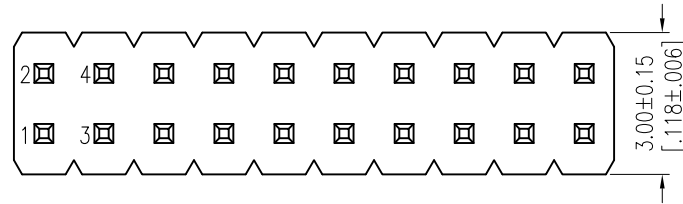
Ordering Information

1320-22 XX XX S XXX C A XX

No.of Pins Contact Plating Pin Length Insulator Packing Series No.
 Per Row:02-50 G0=Gold Flash L=A+B+C C=PA9T A=Tray 01-99
 G3=10u"Gold
 G4=15u"Gold
 G5=30u"Gold
 S0=Gold Flash/Tin
 S3=10u"Gold/Tin
 S4=15u"Gold/Tin
 S5=30u"Gold/Tin
 SN=Tin
 SM=Matte Tin

Item	Pin Length	A	B	C	Mating
Standard	--	1.80	1.90	--	2321
	--	1.80	3.00	--	2334
	--	1.80	4.00	--	2344
Alternate					

Recommended P.C.B Layout (Top Side) (PCB BOARD TOLERANCE±0.05)



OPERATION	DRAW	DATE	SCALE	Fit	PART NO.
x.X ±0.40	William Chen	2018/01/17	UNIT	mm [inch]	1320-22XXXXXXCXXX
x.XX ±0.25	CHECK	DATE	SIZE	A4	TITLE:
x.XXX ±0.15	APPROVE	DATE	SHEET	1/1	1.27 Pin Header, DUAL ROW, S/T, DOUBLE PLASTIC, H=2.0
Angle ± 3'			PROJ.		Customer NO.
DIM TOL					

WCON

Http: www.wcon.com

WCON-Dongguan WCON-Kunshan
 Tel: +86 769 85358920 Tel: +86 512 57468408
 Fax: +86 769 85358915 Fax: +86 512 57468468
 E-mail: sales@wcon.com E-mail: salesks@wcon.com

REV	DATE	MODIFICATION DESCRIPTION	CHANGE
A1	2018/01/17	MODIFY PART NO.	-----
A0	2012/03/22	NEW	-----