

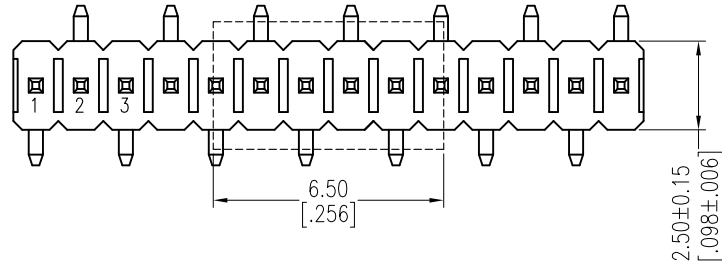
# HSF

**NOTES:**

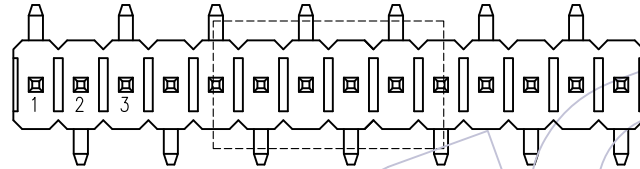
Rated Current:1.0AMP.  
 Contact Resistance:20mΩ Max.  
 Withstand Voltage:500V AC/DC  
 Insulation Resistance:1000MΩ Min.  
 Operation Temperature:-40°C to +105°C

Contact Material:Brass  
 Contact Plating:Au or Sn Over Ni  
 Insulator Material:PA9T+33%G.F UL94V-0 BK

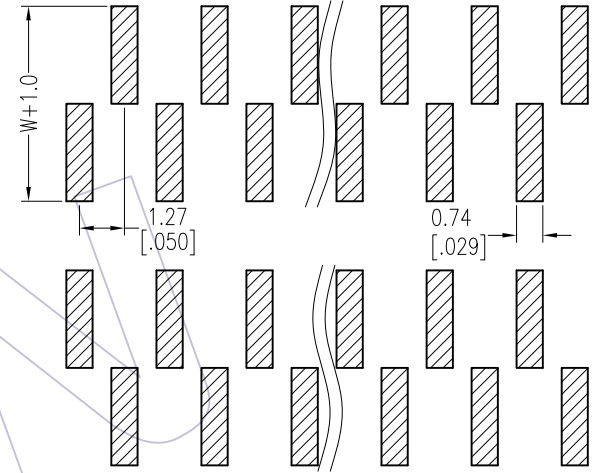
Recommended P.C.B Layout (Top Side)  
 (PCB BOARD TOLERANCE±0.05)



TYPE-1



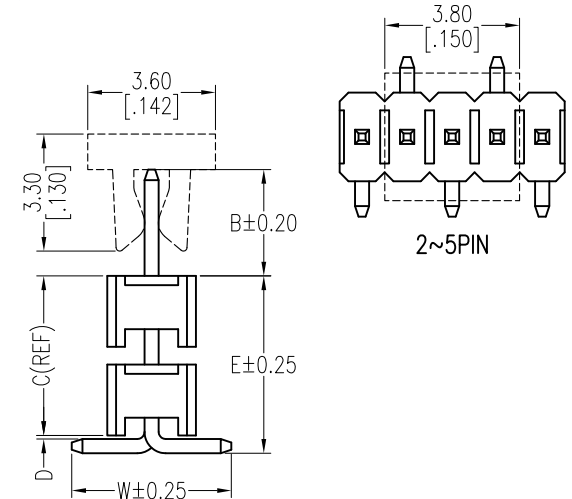
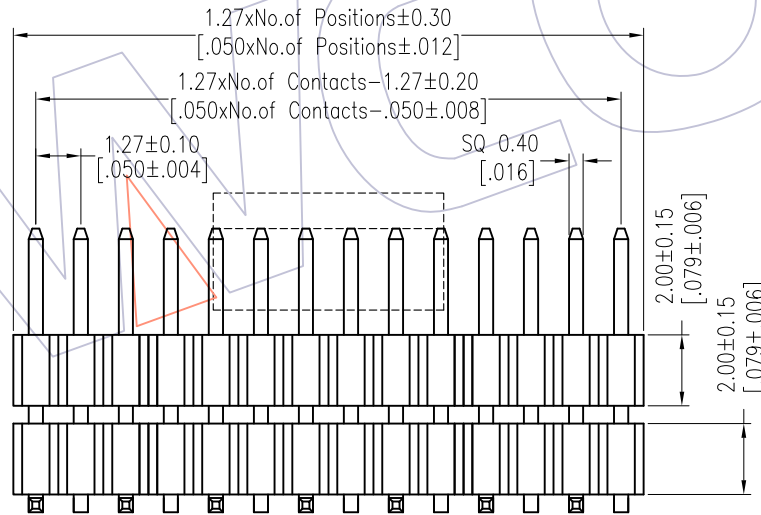
TYPE-2



## Ordering Information

1320-21 XX XX M XXX C R XX

No.of Pins	Contact Plating	Pin Length	Insulator	Packing	Series No.
02-50	G0=Gold Flash G3=10u"Gold G4=15u"Gold G5=30u"Gold S0=Gold Flash/Tin S3=10u"Gold/Tin S4=15u"Gold/Tin S5=30u"Gold/Tin SN=Tin SM=Matte Tin	L=B+C+D+ $\frac{W}{2}$	C=PA9T	A=Tray T=Tube P=Tube+CAP R=Tape&Reel+CAP	01-99



Item	Pin Length	W	D	B	E	Mating
Standard	--	4.50	0.10	1.90	--	2321
	--	4.50	0.10	3.00	--	2334
	--	4.50	0.10	4.00	--	2344
Alternate						

REV	DATE	MODIFICATION DESCRIPTION	CHANGE	OPERATION	DRAW	DATE	SCALE	Fit	PART NO.
A1	2018/01/17	MODIFY PART NO.	-----	x.X ±0.40	William Chen	2018/01/17	UNIT	mm [inch]	1320-21XXXXMXXXCXXX $\Delta$
AO	2012/03/22	NEW	-----	x.XX ±0.25	CHECK	DATE	SIZE	A4	TITLE: 1.27 Pin Header, SINGLE ROW, SMT, DOUBLE PLASTIC, H=2.0
				x.XXX ±0.15	APPROVE	DATE	SHEET	1/1	Customer NO.
				Angle ± 3'			PROJ.		
				DIM TOL					

**WCON**  
 Http: www.wcon.com

WCON-Dongguan  
 Tel: +86 769 85358920  
 Fax: +86 769 85358915  
 E-mail: sales@wcon.com

WCON-Kunshan  
 Tel: +86 512 57468408  
 Fax: +86 512 57468468  
 E-mail: sales@wcon.com