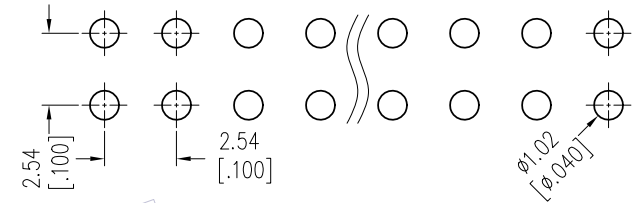
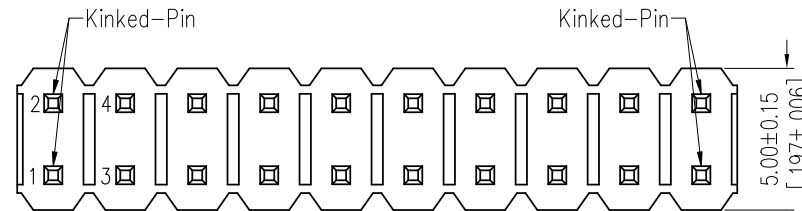


HSF

NOTES:
 Rated Current: 3.0AMP.
 Contact Resistance: 20mΩ Max.
 Withstand Voltage: 1000V AC/DC
 Insulation Resistance: 1000MΩ Min.
 Operation Temperature: -40℃ to +105℃
 Contact Material: Brass
 Contact Plating: Au or Sn Over Ni
 Insulator Material: PA9T+33%G.F UL94V-0 BK

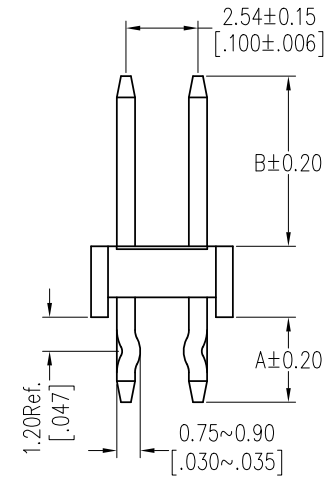
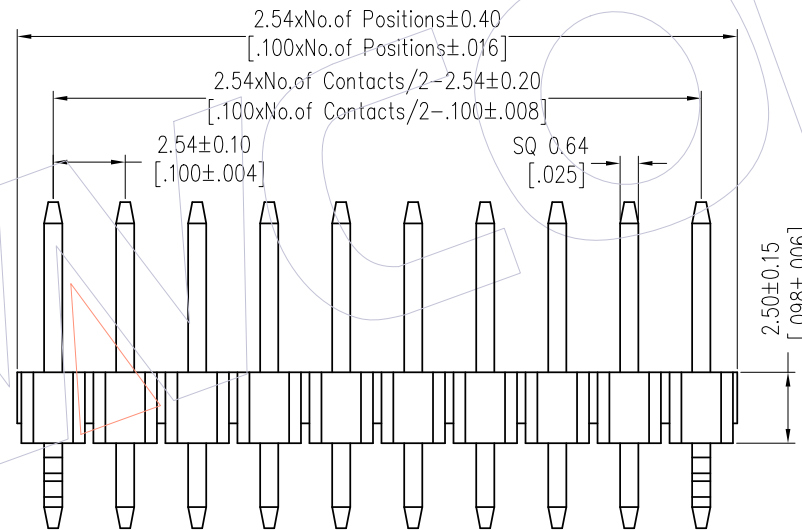
Recommended P.C.B Layout (Top Side)
 (PCB BOARD TOLERANCE±0.05)



Ordering Information

1125-12 XX XX K XXX C 0 XX

No. of Pins	Contact Plating	Pin Length	Insulator Material	Packing	Series No.
02~40	G0=Gold Flash G3=10u"Gold G4=15u"Gold G5=30u"Gold S0=Gold Flash/Tin S3=10u"Gold/Tin S4=15u"Gold/Tin S5=30u"Gold/Tin SN=Tin SM=Matte Tin	L=A+B+2.5 Standard:085=8.5 095=9.5 105=10.5 116=11.6 118=11.8 135=13.5	C=PA9T	0=PE Bag T=Tube	01~99



Item	Pin Length	A	B	Mating
Standard	8.50	3.00	3.00	2135
	9.50	3.00	4.00	2145
	10.50	3.00	5.00	2150
	11.60	3.00	6.10	2171 2185
	11.80	2.40	6.90	2171 2185
Alternate	13.50	3.00	8.00	

A3	2018/06/02	Cancel PBT & Modify P/N	OPERATION	DRAW	DATE	SCALE	Fit	PART NO. 1125-12XXXXXXCOXX
A2	2018/01/22	Modify P/N	x.x ±0.40	Surong Xu	2018/06/02	UNIT	mm [inch]	
A1	2016/02/19	MODIFY DRAWING	x.xx ±0.25	CHECK	DATE	SIZE	A4	TITLE: PH2.54 DUAL ROW S/T H=2.5 Kinked-PIN
A0	2012/05/28	NEW	x.xxx ±0.15	APPROVE	DATE	SHEET	1/1	Customer NO.
REV	DATE	MODIFICATION DESCRIPTION	ANGLE ± 3°	DIM	TOL	PROJ.		

WCON

Http: www.wcon.com

WCON-Dongguan Tel: +86 769 85358920 Fax: +86 769 85358915 E-mail: sales@wcon.com	WCON-Kunshan Tel: +86 512 57468408 Fax: +86 512 57468468 E-mail: salesks@wcon.com
---	--