

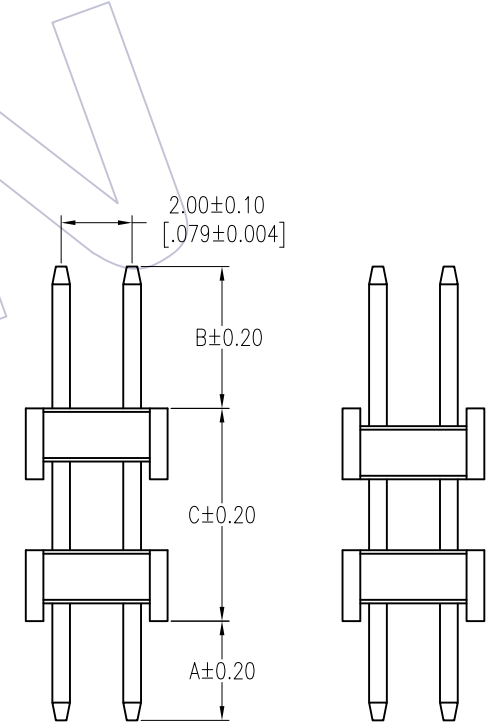
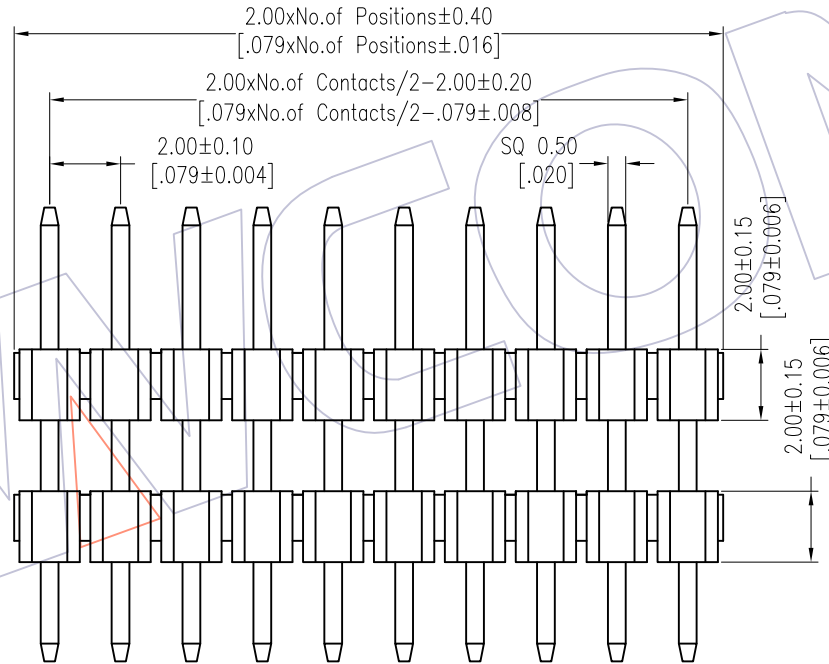
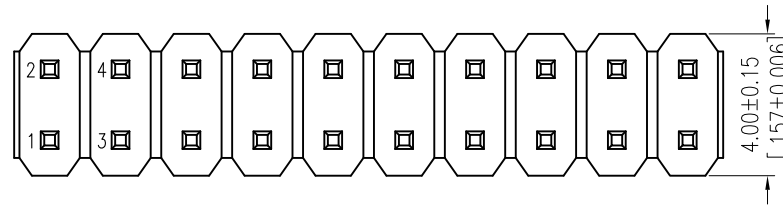
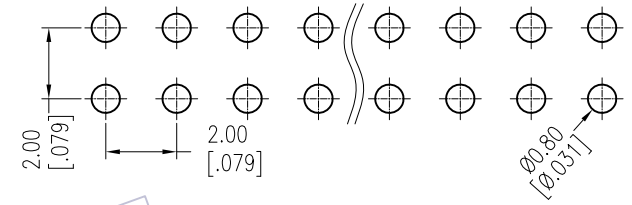
HSF

NOTES:

Rated Current:2.0AMP.
 Contact Resistance:20mΩ Max.
 Withstand Voltage:500V AC/DC
 Insulation Resistance:1000MΩ Min.
 Operation Temperature:-40°C to +105°C

Contact Material:Brass
 Contact Plating:Au or Sn Over Ni
 Insulator Material:PA9T+33%G.F UL94V-0 BK

Recommended P.C.B Layout (Top Side)
 (PCB BOARD TOLERANCE±0.05)



Ordering Information

1220-22 XX XX S XXX C 0 XX Δ

No. of Pins	Contact Plating	Pin Length	Insulator	Packing	Series No.
Per Row:02~40	G0=Gold Flash	L=A+B+C	Material	0=PE Bag	01~99
	G3=10u"Gold	Standard:	C=PA9T	T=Tube	
	G4=15u"Gold				
	G5=30u"Gold				
	S0=Gold Flash/Tin				
	S3=10u"Gold/Tin				
	S4=15u"Gold/Tin				
	S5=30u"Gold/Tin				
	SN=Tin				
	SM=Matte Tin				

Item	Pin Length	A	B	C	Mating
Standard	----	2.80	2.80	----	
	----	2.80	4.00	----	2240 2243 2263 2272
Alternate					

REV	DATE	MODIFICATION DESCRIPTION	CHANGE	OPERATION	DRAW	DATE	SCALE	Fit	PART NO.
				x.X ±0.40	<i>Liu</i>	2018.01.19	UNIT	mm	1220-22XXXXXXXC0XX Δ
A1	2018/01/19	Modify P/N	Δ	x.XX ±0.25	CHECK	DATE	SIZE	A4	TITLE: PH2.00 DUAL ROW DOUBLE PLASTIC 180° H=2.0
AO	2012/04/26	NEW	-----	x.XXX ±0.15	APPROVE	DATE	SHEET	1/1	Customer NO.
				Angle ± 3'			PROJ.	ϕ \leftarrow	
				DIM TOL					

WCON

Http: www.wcon.com

WCON-Dongguan Tel: +86 769 85358920 Fax: +86 769 85358915 E-mail: sales@wcon.com	WCON-Kunshan Tel: +86 512 57468408 Fax: +86 512 57468468 E-mail: salesks@wcon.com
---	--