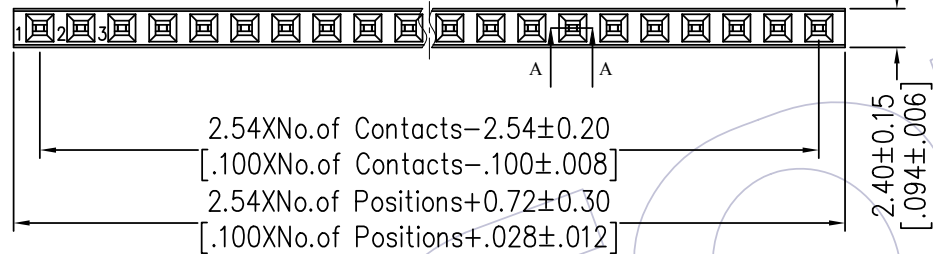
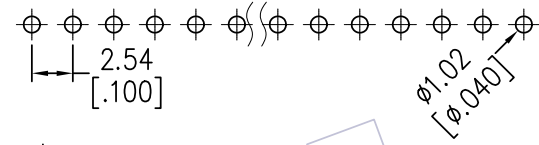


HSF

NOTES:
 Current Rating: 3.0AMP
 Contact Resistance: 20mΩ Max
 Withstand Voltage: 1000V AC/DC
 Insulation Resistance: 1000MΩ Min
 Operation Temperature: -40℃ to +105℃

Contact Material: Phosphor Bronze
 Contact plating: Au over Ni
 Insulator Material: PBT+30%G.F UL94V-0

Recommended P.C.B Layout(Top Side)
 (PCB BOARD TOLERANCE±0.05)



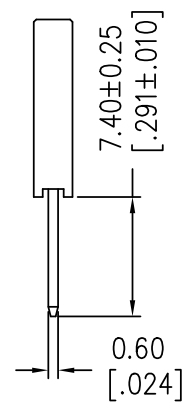
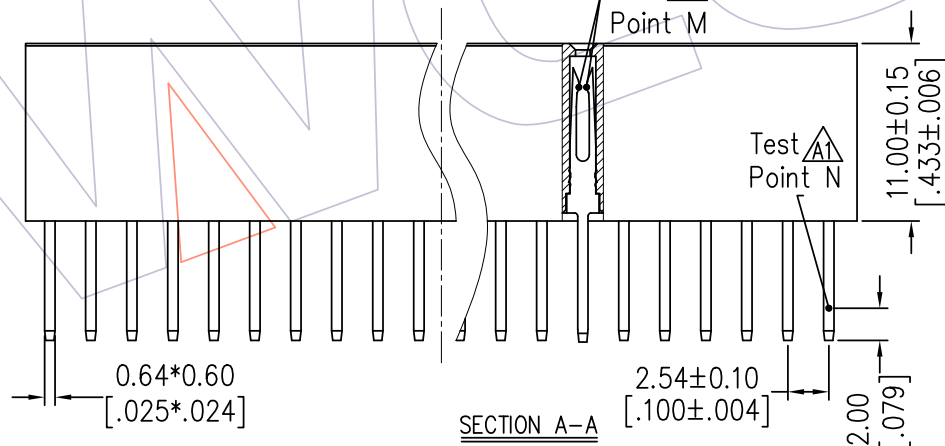
Contact Plating	Test Point M	Test Point N
G1	3U"	3U"
G3	10U"	10U"
G4	15U"	15U"
H3	10U"	3U"
H4	15U"	3U"

Ordering Information

2111A - 1 XX S XX A Y N X 2

No. of Pins per ROW: 02-40PIN
 Contact Plating:
 G1=Fully 3u"Gold
 G3=Fully 10u"Gold
 G4=Fully 15u"Gold
 H3=Mating 10u"Gold
 Tail 3u"Gold
 H4=Mating 15u"Gold
 Tail 3u"Gold

Packing:
 T=Tube
 A=Tray
 P=Tube+Cap



Item	Pitch	Mating
Standard	2.54	1115/1120/1125
Alternate		

REV	DATE	MODIFICATION DESCRIPTION	CHANGE	OPERATION		DRAW XSR	DATE	SCALE	FIT	PART NO. 2111A-1XXSXXAYNX2
				DIM	TOL					
A1	2020/01/17	MODIFY	-----	x.xx	±0.40	CHECK	DATE	UNIT	mm	TITLE: 2.54mm Female Header SINGLE ROW 180°DIP H=11.0 DIP=7.40
A0	2017/01/20	NEW	-----	x.xxx	±0.15		DATE	SIZE	A4	
				Angle	± 3'		APPROVE	DATE	SHEET	
								PROJ.	Customer NO.	

WCON

Http: www.wcon.com

WCON-Dongguan Tel: +86 769 85358920 Fax: +86 769 85358915 E-mail: sales@wcon.com
 WCON-Kunshan Tel: +86 512 57468408 Fax: +86 512 57468468 E-mail: salesks@wcon.com