

HSF

NOTES:

Rated Current: 2.0AMP
 Rated Voltage: 12V DC
 Contact Resistance: 30mΩ max
 Withstand Voltage: 1000V AC/DC
 Insulation Resistance: 1000MΩ min
 Operation Temperature: -55℃ to +105℃

Contact Material: Copper Alloy
 Contact Plating: Au Over Ni
 Insulator Material: High Temperature Thermoplastic(UL94V-0)

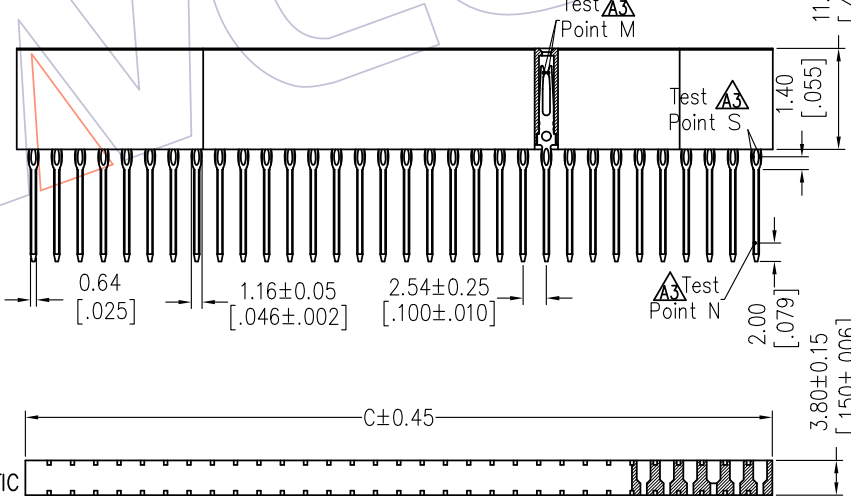
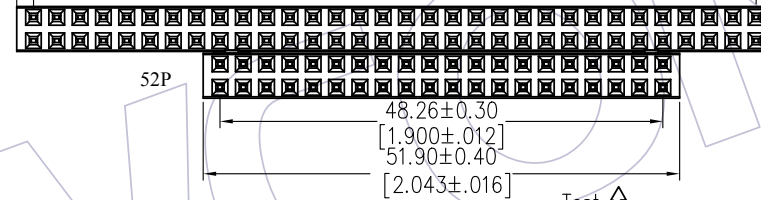
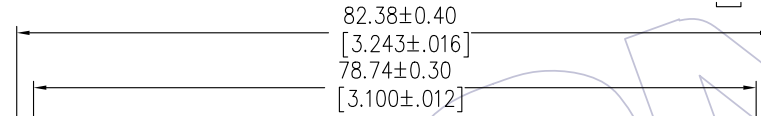
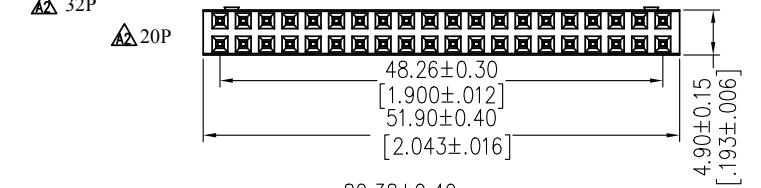
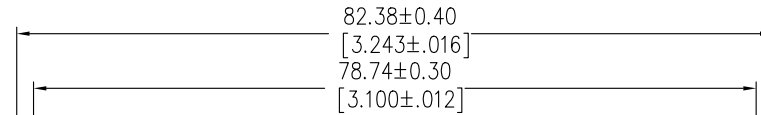
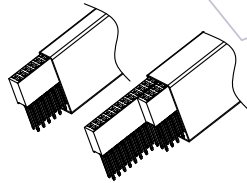
Ordering Information

2111P-2 XX SXX FYN TX

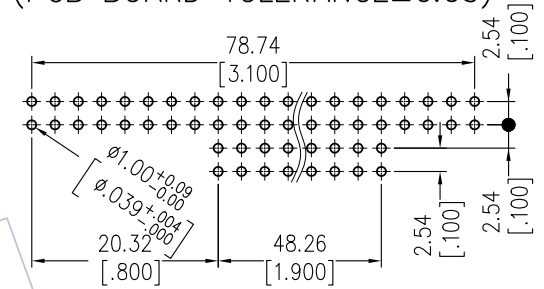
No. of Pins per 20P 32P 52P(20+32P)
 Contact Plating: G1=Fully 3u"Gold G3=Fully 10u"Gold G4=Fully 15u"Gold H3=Mating 10u"Gold Tail 3u"Gold H4=Mating 15u"Gold Tail 3u"Gold
 Packing: T=Tube
 Journal Number: 2=Type 2 5=Type 2 + Plastic

ITEM	PLASTIC		CONN
	Dim C	Pcs/Bag	Pcs/Tube
2*20P	50.90	500	11
2*32P	81.38	500	7
2*52P			7

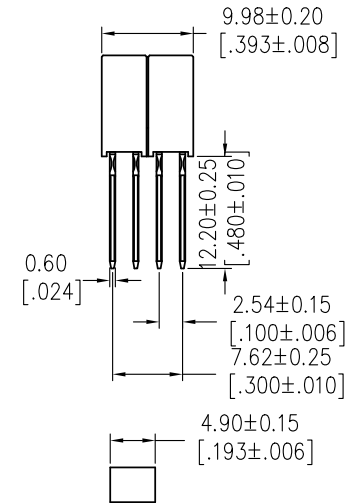
Item	Pitch	Mating
Standard	2.54	1125
Alternate		



Recommended P.C.B Layout(Top Side)
 (PCB BOARD TOLERANCE±0.05)



Contact Plating	Test Point M	Test Point N	Test Point S
G1	3U"	3U"	3U"
G3	10U"	10U"	3U"
G4	15U"	15U"	3U"
H3	10U"	3U"	3U"
H4	15U"	3U"	3U"



REV	DATE	MODIFICATION DESCRIPTION	CHANGE	DIM	TOL	OPERATION	DRAW	DATE	SCALE	FIT	PART NO.	TITLE:
A3	2019/12/30	MODIFY	-----			OPERATION	Surong Xu	2019/12/30	UNIT	mm	2111P-2XXSXXFYNTX	2.54 PC104 2*XXP 180° H=11.0 DIP=12.2 PRESS FIT + PLASTIC
A2	2019/06/11	ADD 52P&20P 32P VIEW	-----	x.X	±0.40		CHECK	DATE	SIZE	A4		
A1	2017/04/17	Modify	-----	x.XX	±0.25		APPROVE	DATE	SHEET	1/1		
A0	2012/08/20	NEW	-----	x.XXX	±0.15	Angle ± 3°			PROJ.			Customer NO.

WCON
 Http: www.wcon.com
 WCON-Dongguan Tel: +86 769 85358920 Fax: +86 769 85358915 E-mail: sales@wcon.com
 WCON-Kunshan Tel: +86 512 57468408 Fax: +86 512 57468468 E-mail: salesks@wcon.com