

NOTES:  
 Current Rating: 3.0AMP  
 Contact Resistance: 20mΩ Max  
 Withstand Voltage: 1000V AC/DC  
 Insulation Resistance: 1000MΩ Min  
 Operation Temperature: -40°C to +105°C

Contact Material: Copper Alloy  
 Contact Plating: Au Over Ni  
 Insulator Material: High Temperature Thermoplastic(UL94V-0)

## Ordering Information

2111P-2 XX SXX FYNT4

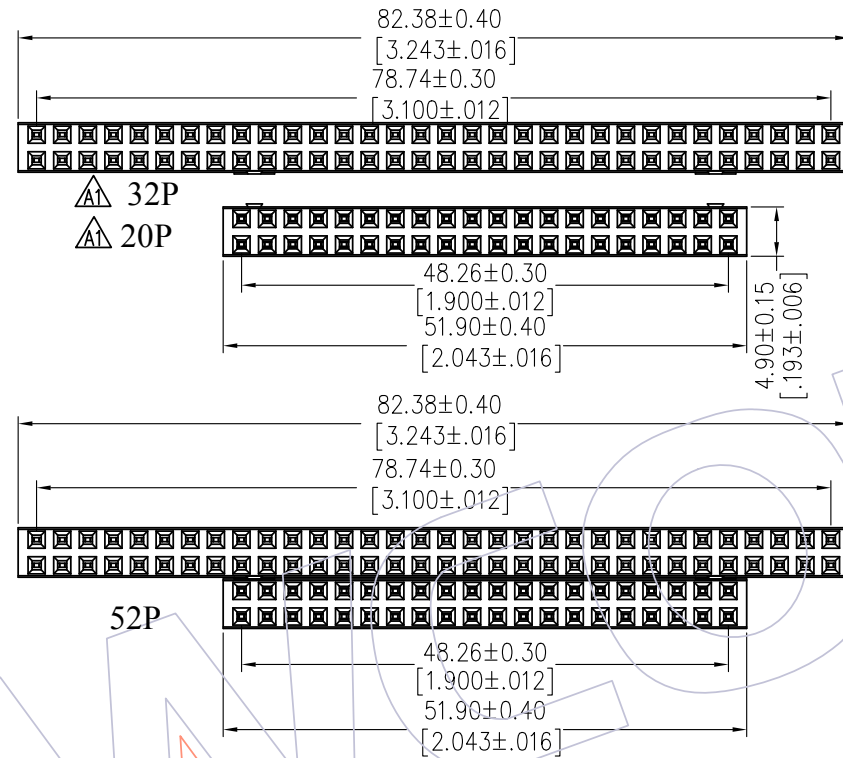
No. of Pins per  
 20P  
 32P  
 52P(20+32P)

Contact Plating:  
 G1=3u"Gold  
 G3=10u"Gold  
 G4=15u"Gold

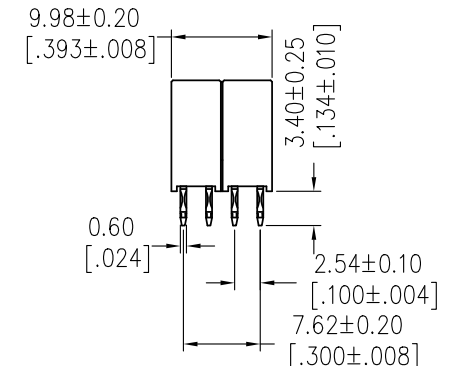
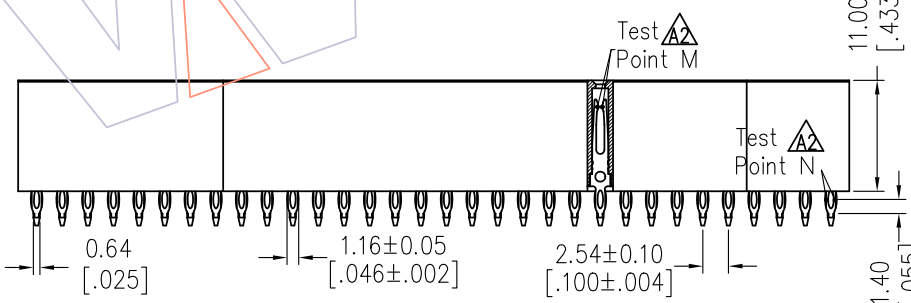
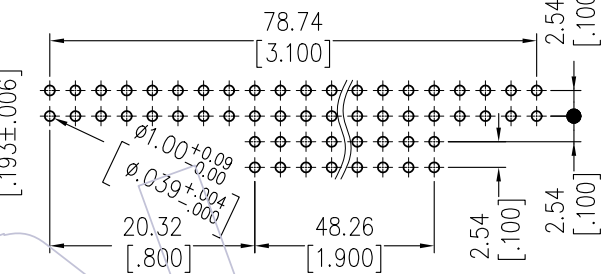
Packing:  
 T=Tube

ITEM	Pcs/Tube	Contact Plating	Test Point M	Test Point N
2*20P	11	G1	3U"	1U"
2*32P	7	G3	10U"	1U"
2*52P	7	G4	15U"	1U"

Item	Pitch	Mating
Standard	2.54	1125
Alternate		



Recommended P.C.B Layout(Top Side)  
 (PCB BOARD TOLERANCE±0.05)



REV	DATE	MODIFICATION DESCRIPTION	CHANGE	OPERATION	DRAW	DATE	SCALE	FIT	PART NO.
A2	2019/12/30	MODIFY	-----	x.x ±0.40	XSR	2019/12/30	UNIT	mm	2111P-2XXSXXFYNT4
A1	2019/06/11	ADD 52P&20P 32P VIEW	-----	x.xx ±0.25	CHECK	DATE	SIZE	A4	TITLE: 2.54mm PC104 2*XXP 180°DIP H=11.0 DIP=3.4 PRESS FIT
A0	2012/08/20	NEW	-----	x.xxx ±0.15	APPROVE	DATE	SHEET	2/2	Customer NO.
				Angle ± 3°			PROJ.		
				DIM TOL					

**WCON**  
 Http: www.wcon.com

WCON-Dongguan  
 Tel: +86 769 85358920  
 Fax: +86 769 85358915  
 E-mail: sales@wcon.com

WCON-Kunshan  
 Tel: +86 512 57468408  
 Fax: +86 512 57468468  
 E-mail: salesks@wcon.com