

HSF

Recommended P.C.B Layout(Top Side)
(PCB BOARD TOLERANCE±0.05)

NOTES:
Current Rating: 2.0AMP
Contact Resistance: 20mΩ Max
Withstand Voltage: 500V AC/DC
Insulation Resistance: 1000MΩ Min
Operation Temperature: -40℃ to +105℃

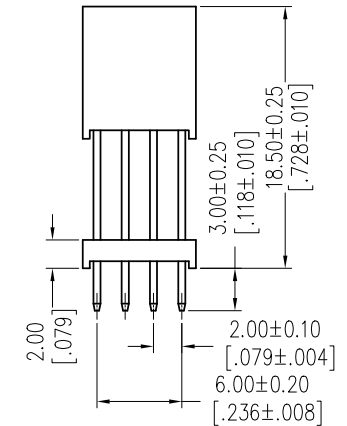
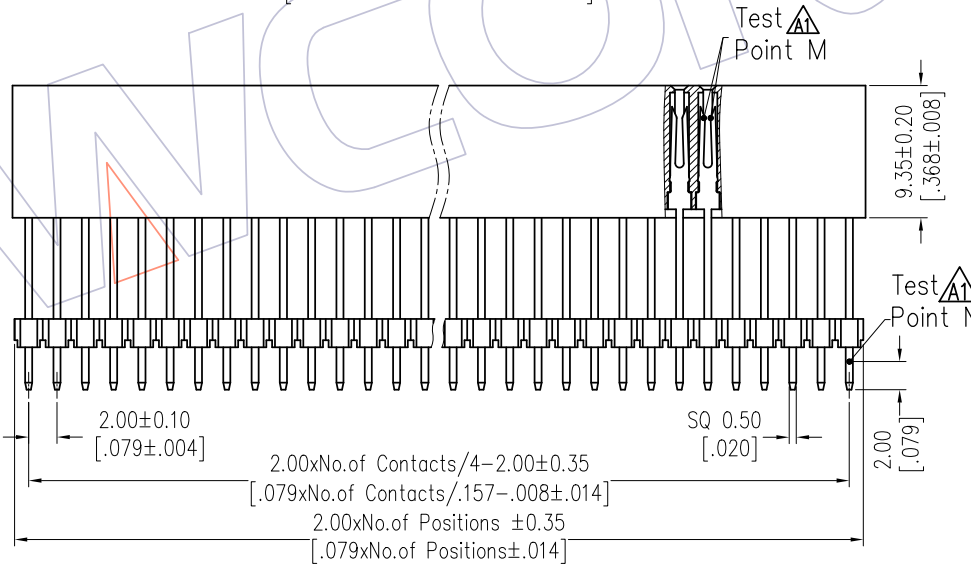
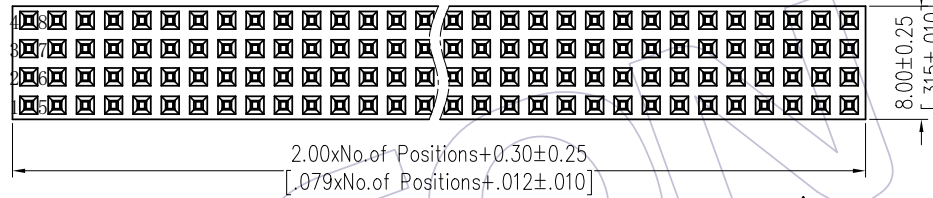
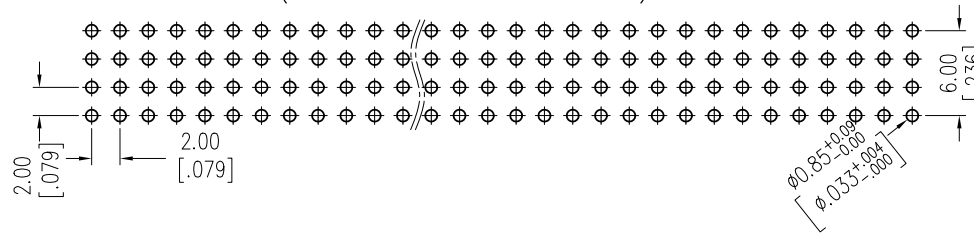
Contact Material: Copper Alloy
Contact Plating: Au Over Ni
Insulator Material: High Temperature Thermoplastic(UL94V-0)

Ordering Information

2293D - 4 XX S XX CYN X 1

No. of Pins per ROW: 02-40PIN
Contact Plating: G1=Fully 3μ"Gold
G3=Fully 10μ"Gold
G4=Fully 15μ"Gold
H3=Mating 10μ"Gold Tail 3μ"Gold
H4=Mating 15μ"Gold Tail 3μ"Gold
Insulator: C=PA9T
Packing: T=Tube

△	Contact Plating	Gold Test Point M	Gold Test Point N
	G1	3U"	3U"
	G3	10U"	10U"
	G4	15U"	15U"
	H3	10U"	3U"
	H4	15U"	3U"



REV	DATE	MODIFICATION DESCRIPTION	CHANGE	OPERATION	DRAW	DATE	SCALE	FIT	PART NO.
				x.x ±0.40	XSR	2019/12/30	UNIT	mm	2293D-4XXSXXCYNX1
A1	2019/12/30	MODIFY	-----	x.xx ±0.25	CHECK	DATE	SIZE	A4	TITLE: 2.00*2.00mm PC104 Plus FOUR ROW 180°DIP H=9.35+2.0 DIP=3.00
AO	2015/09/01	NEW	-----	x.xxx ±0.15	APPROVE	DATE	SHEET	1/1	Customer NO.
				Angle ± 3°			PROJ.		
				DIM TOL					

WCON
Http: www.wcon.com

WCON-Dongguan
Tel: +86 769 85358920
Fax: +86 769 85358915
E-mail: sales@wcon.com

WCON-Kunshan
Tel: +86 512 57468408
Fax: +86 512 57468468
E-mail: salesks@wcon.com